

M O V A W A L L

Type 200



Type 200 is a sliding folding partition system of purpose made flat panels hinged together, to slide and fold to one or both sides within an alternative opening. Available primarily as a floor supported bottom roller system or as a top hung alternative option.

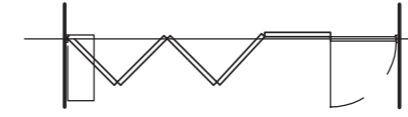
Overview

Panels have extra stability by means of a locking arrangement. Each alternate panel contains an espagnolette bolt mechanism operated via a detachable handle at a convenient height from the floor. The locking pin engages the floor rail and top track to ensure the panels close flat, flush and are rigid. The leading panel in the opening can be used as a full height pass door if required. Pass doors have flush pull handles and roller catch fitted; a lock can also be fitted.

- Continuously hinged panels
- Floor supported or top hung
- Sound reduction up to Rw 52dB
- Multiple stacking options



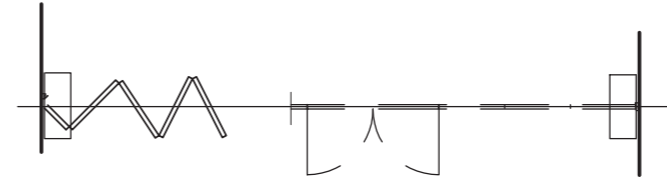
Layout Types



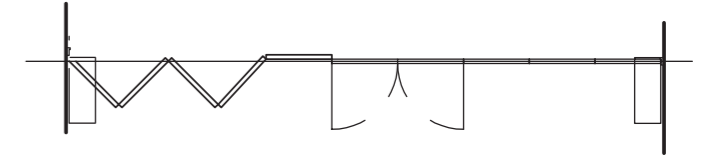
1. End Fold - Single (floor supported only)



2. Centre Fold - Single

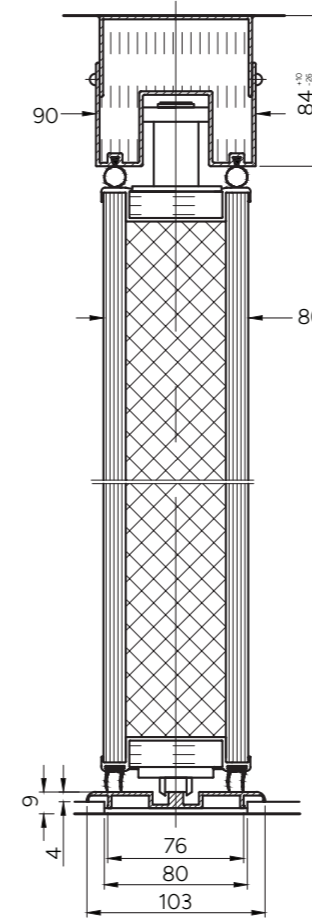


3. End Fold - Bi-Parting (floor supported only)

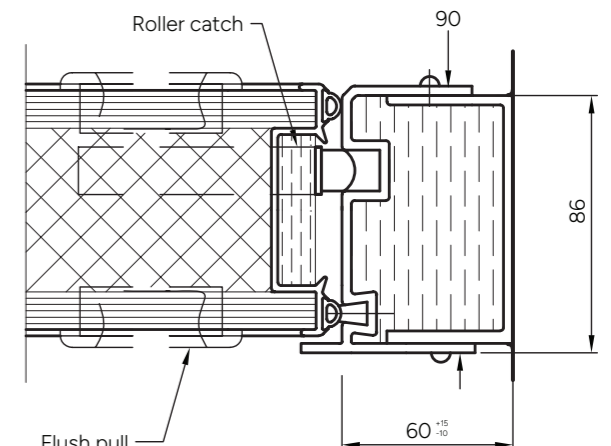
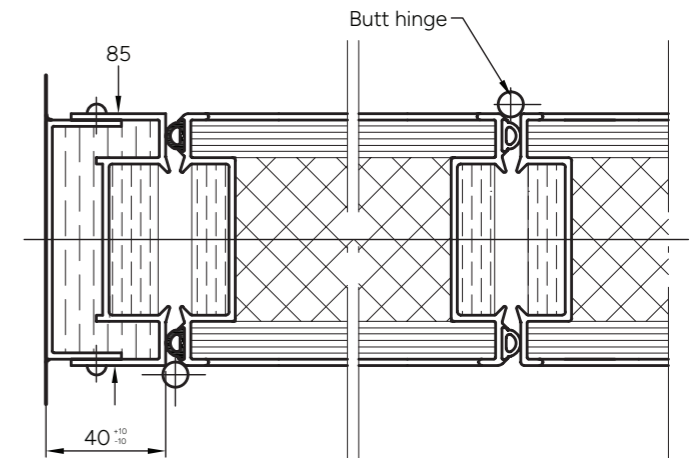


4. Centre Fold - Bi-Parting

Panel Details



Vertical Section



Horizontal Section - Wall Jamb

Features

- Height:** Up to 4,000mm
- Panel Width:** Upto 900mm
- Sound Reduction:** Up to Rw 52dB
- Panel Thickness:** 80mm
- Suspension method:** Floor supported with top guide or top hung
- Operation Mode:** Manual
- Panel Type:** Hinged
- Seal Type:** Fixed top and bottom sweep strips
- Panel Construction:** Aluminium frame
- Panel Weight:** Up to 42kg/m²
- Fireproof Qualities:** Class 1, Class 0, F30, F60
- Pass Door Panels:** Full height only single or double
- Usage:** Internal
- Panel Edges:** Exposed SAA or powder coated
- Panel Finishes:** Laminate, HP Laminate, Veneer, Fabric, Factory Spray Painted, Whiteboard, Magnetic whiteboard, Inlayed fabric
- Other Options:** Corner, Junction, Glazed cut outs
- Stacking Options:** Centre fold, End fold





MOVAWALL

www.movawall.co.uk
info@movawall.co.uk
020 8391 8750

Movawall Systems Ltd
63 Barwell Business Park
Chessington
KT9 2NY